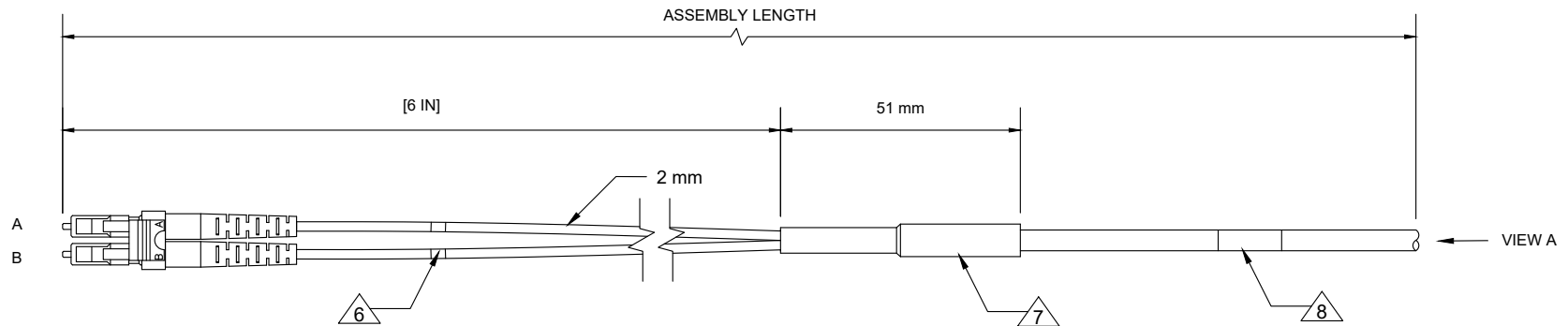


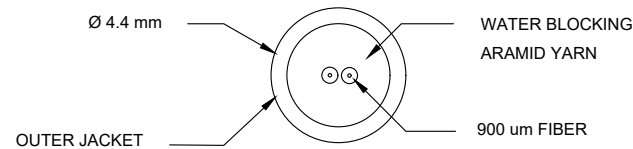
NOTES: UNLESS OTHERWISE SPECIFIED

1. MATERIALS AND COMPONENTS ARE RoHS/REACH COMPLIANT.
2. CONNECTORS MEET THE REQUIREMENTS OF ANSI/TIA 568-C.3
3. 100% TESTED FOR OPTICAL PERFORMANCE, END FACE CRITERIA AND CLEANLINESS.
4. CABLE ASSEMBLIES ARE MANUFACTURED TO C ENTERPRISES STANDARDS.
5. STANDARDS AND SPECIFICATIONS AVAILABLE UPON REQUEST.
6. FIBER LEG LABEL. PLACED APPROX. 6 INCHES FROM CONNECTOR. 2 PLACES.
7. C-TERM.
8. PRODUCT LABEL.

REV	ECR	DESCRIPTION	BY	DATE	CHECKED
A	-	INITIAL RELEASE	M. K	04/17/2020	A.J.




VIEW A
CROSS SECTION
NOT TO SCALE



BILL OF MATERIALS		
ITEM	QTY	COMPONENT
5	1	SPOOL
4	1	PRODUCT LABEL
3	1	REVERSE C-TERM; 2 mm BLACK OSP 6 IN FURCATION
2	AR	SINGLE-MODE OS2 2-FIBER OFNP IN/OUT CABLE; BLACK: PERFORMA.
1	2	LC-CLIPPED SINGLE-MODE OS2 UPC POLISH; BLUE HOUSING, BLUE BOOT: PERFORMA.

UPC TEST LIMITS AT 1310 nm			
MAX. I.L.	TYP. I.L.	MIN. R.L.	TYP. R.L.
≤0.50dB	0.20dB	≥50dB	60dB

DESCRIPTION: LC-CLIP UPC POLISH / UNTERMINATED x2-FIBER SINGLE-MODE OS2 OFNP 900 um REVERSE C-TERM 2 mm OSP FURCATION, PRODUCT LABEL, SPOOL, PERFORMA.			
DRAWN BY:	M. KHANFIR	04/17/2020	 C ENTERPRISES 2445 CADES WAY VISTA CA 92081 760-599-5111
APVD BY:	A. JENSEN	04/17/2020	
DIMENSIONS: METRIC [IMPERIAL]		TITLE: LC-CLIPPED UPC/ UNTERM OS2 OFNP x2 FIBER IN/OUT ASM	
PROPRIETARY AND CONFIDENTIAL THIS DOCUMENT CONTAINS PROPRIETARY INFORMATION OF C ENTERPRISES. NOT TO BE USED, COPIED, OR DISCLOSED WITHOUT WRITTEN PERMISSION. ALL RIGHTS RESERVED.		SIZE: A	REV: A
		SCALE: NOT TO SCALE	SHEET 1 OF 1