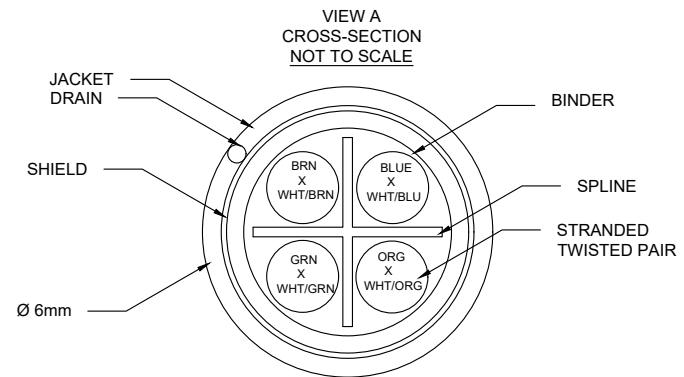
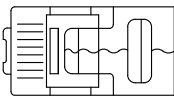
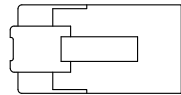
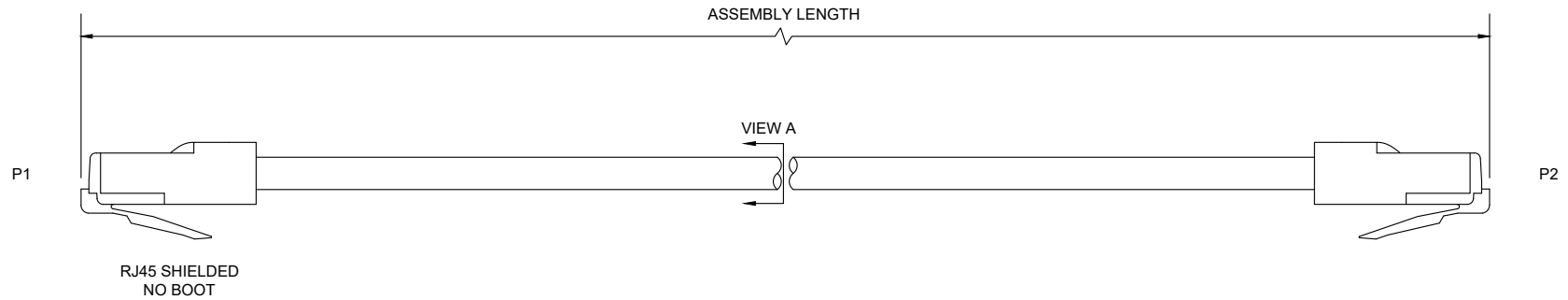



NOTES: UNLESS OTHERWISE SPECIFIED

1. MATERIALS AND COMPONENTS ARE RoHS/REACH COMPLIANT.
2. CONNECTORS MEET THE REQUIREMENTS OF ANSI/TIA 568-C.2.
3. CABLE ASSEMBLIES ARE MANUFACTURED TO C ENTERPRISES STANDARDS.
4. STANDARDS AND SPECIFICATIONS AVAILABLE UPON REQUEST.
5. TESTED FOR CONTINUITY, SHORTS, WIRE MAPPING AND OVERALL INTEGRITY.

REV	ECR	DESCRIPTION	BY	DATE	CHECKED
A	-	INITIAL RELEASE	M. K	01/17/2020	A.J



WIRING CONFIGURATION 568B STRAIGHT			CABLE PROPERTIES		DESCRIPTION: RJ45 SHIELDED TO RJ45 SHIELDED , CAT6 SHIELDED PATCH CORD, 568B, NO BOOT, BLACK.			
P1	COLOR CODE	P2	TEMPERATURE RATING RANGE	[-20°C,75°C]	DRAWN BY:	M. KHANFIR	01/17/2020	
1	ORANGE /WHITE	1	CABLE SWEEP FREQUENCY	250 MHz	APVD BY:	A. JENSEN	01/17/2020	
2	ORANGE	2	VOLTAGE RATING MAX	300 V	 C ENTERPRISES 2445 CADES WAY VISTA CA 92081 760-599-5111			
3	GREEN / WHITE	3	JACKET MATERIAL	POLYVINYLCHLORIDE (PVC)				
4	BLUE	4	DIMENSIONS: METRIC [IMPERIAL]					TITLE: CAT 6 RJ45/RJ45 568B PATCH CORD
5	BLUE / WHITE	5						BILL OF MATERIALS
6	GREEN	6	ITEM	QUANTITY	COMPONENT	A	QCR4R4KXSUDX	A
7	BROWN / WHITE	7	2	AR	4PR CAT6 SHIELDED CMR PATCH CORD 26 AWG PVC; BLACK.	PROPRIETARY AND CONFIDENTIAL THIS DOCUMENT CONTAINS PROPRIETARY INFORMATION OF C ENTERPRISES. NOT TO BE USED, COPIED, OR DISCLOSED WITHOUT WRITTEN PERMISSION. ALL RIGHTS RESERVED.		
8	BROWN	8	1	2	RJ45 8P8C SHIELDED CAT 6 CONNECTOR W/LOAD BAR; NO BOOTS	SCALE: NOT TO SCALE		SHEET 1 OF 1
SHIELDED	DRAIN	SHIELDED						