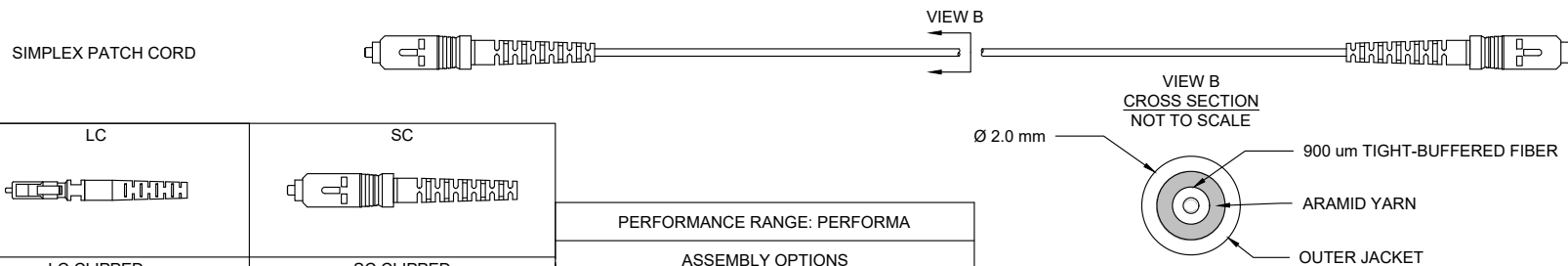
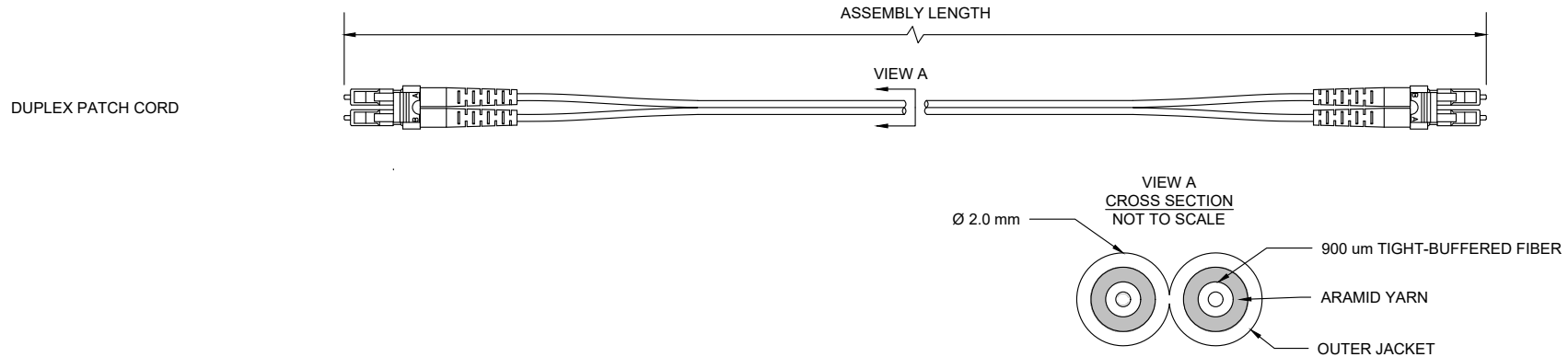


NOTES: UNLESS OTHERWISE SPECIFIED

1. MATERIALS AND COMPONENTS ARE RoHS/REACH COMPLIANT.
2. ASSEMBLY MEET THE REQUIREMENTS OF ANSI/TIA 568-C.3.
3. 100% TESTED FOR OPTICAL PERFORMANCE, END FACE CRITERIA AND CLEANLINESS.
4. CABLE ASSEMBLIES ARE MANUFACTURED TO C ENTERPRISES STANDARDS.
5. STANDARDS AND SPECIFICATIONS AVAILABLE UPON REQUEST.
6. DETAILED DEPICTIONS OF CONNECTORS AND SPECIFIC ASSEMBLIES AVAILABLE.
7. REFER TO SALES FOR FURTHER DETAILS.

REV	ECR	DESCRIPTION	BY	DATE	CHECKED
A	-	INITIAL RELEASE	K.T.	07/25/2017	A.J.
A.1	-	POLISH OPTIONS UPDATE	M. K	07/11/2019	A.J.



<p>LC</p>	<p>SC</p>	PERFORMANCE RANGE: PERFORMA	<p>DESCRIPTION: SIMPLEX OR DUPLEX PATCH CORD, PERFORMA</p>		
<p>LC CLIPPED</p>	<p>SC CLIPPED</p>	ASSEMBLY OPTIONS			
CONNECTORS: LC*, LC UNIBOOT, SC*, FC, ST, MTRJ, UNTERMINATED END, LEGACY CONNECTOR			DRAWN BY:	M. KHANFIR	07/11/2019
CONNECTOR POLISH: UPC, APC**, PC			APVD BY:	A. JENSEN	07/11/2019
FIBER MODE: SINGLE-MODE, OM1, OM2, OM3, OM4			DIMENSIONS: METRIC [IMPERIAL]		
<p>LC UNIBOOT</p>	<p>MTRJ</p>	CABLE JACKET RATING: OFNR, OFNP, LSZH	<p>C ENTERPRISES 2445 CADES WAY VISTA CA 92081 760-599-5111</p>		
<p>FC</p>	<p>ST</p>	CABLE: 1.6 mm, 2.0 mm, 3.0 mm. SIMPLEX OR DUPLEX			
POLARITY: CROSS-OVER (A-B, B-A), STRAIGHT (A-A, B-B)			PROPRIETARY AND CONFIDENTIAL		
ADDITIONAL OPTIONS: CUSTOM BOOTS, CUSTOM JACKET COLOR, LABELS, TEST REPORT, PULLING EYE, SPOOLED			THIS DOCUMENT CONTAINS PROPRIETARY INFORMATION OF C ENTERPRISES. NOT TO BE USED, COPIED, OR DISCLOSED WITHOUT WRITTEN PERMISSION. ALL RIGHTS RESERVED.		
* CLIPPED DUPLEX OPTION AVAILABLE			SIZE	DWG. NO.	REV
** APC POLISH NOT AVAILABLE FOR ST AND MTRJ CONNECTORS.			A	PERFORMA_PATCH_CORD	A.1
SCALE: NOT TO SCALE				SHEET 1 OF 1	