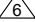
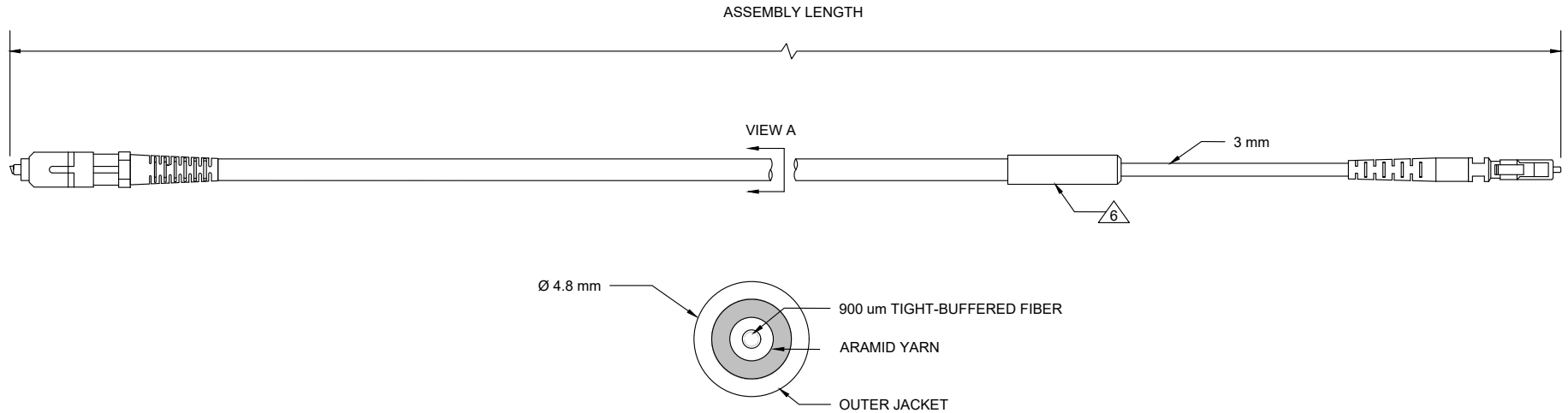



NOTES: UNLESS OTHERWISE SPECIFIED

1. MATERIALS AND COMPONENTS ARE RoHS/REACH COMPLIANT.
2. CONNECTORS MEET THE REQUIREMENTS OF ANSI/TIA 568-C.3
3. 100% TESTED FOR OPTICAL PERFORMANCE, END FACE CRITERIA AND CLEANLINESS.
4. CABLE ASSEMBLIES ARE MANUFACTURED TO C ENTERPRISES STANDARDS.
5. STANDARDS AND SPECIFICATIONS AVAILABLE UPON REQUEST.
6.  C-TERM. 1 PLACE.

REV	ECR	DESCRIPTION	BY	DATE	CHECKED
A	-	INITIAL RELEASE	M. K	05/24/2019	A.J



BILL OF MATERIALS			APC TEST LIMITS AT 1310 nm				DESCRIPTION: SC/ APC to LC/ UPC, SINGLE-MODE CLEAR CURVE ZBL INDOOR/ OUTDOOR MDU DROP.					
ITEM	QTY	COMPONENT	MAX. I.L.	TYP. I.L.	MIN. R.L.	TYP. R.L.	DRAWN BY:	M. KHANFIR	05/24/2019	 <b>C-ENTERPRISES</b> <small>Connecting Today's Infrastructures</small>	C ENTERPRISES 2445 CADES WAY VISTA CA 92081 760-599-5111	
4	1	C-TERM, 3 mm FURCATION BLACK OSP.	≤0.50dB	0.20dB	≥65dB	68dB	APVD BY:	A. JENSEN	05/28/2019			
3	AR	SINGLE-MODE OS2 SIMPLEX OFNR CLEAR CURVE BEND-INSENSITIVE ZBL 4.8 mm CABLE MDU DROP OFNR, BLACK: PERFORMA	UPC TEST LIMITS AT 1310 nm				DIMENSIONS: METRIC [IMPERIAL]			TITLE: SC/LC OS2 SIMPLEX I/O MDU DROP CABLE		
2	1	LC UPC POLISH CONNECTOR; BLUE HOUSING, BLUE BOOT: PERFORMA	MAX. I.L.	TYP. I.L.	MIN. R.L.	TYP. R.L.	PROPRIETARY AND CONFIDENTIAL			SIZE	DWG. NO.	REV
1	1	SC APC POLISH CONNECTOR; GREEN HOUSING, WHITE BODY: PERFORMA	≤0.50dB	0.20dB	≥50dB	60dB	THIS DOCUMENT CONTAINS PROPRIETARY INFORMATION OF C ENTERPRISES. NOT TO BE USED, COPIED, OR DISCLOSED WITHOUT WRITTEN PERMISSION. ALL RIGHTS RESERVED.			A	SBGO01SBLBRXXSX	A
										SCALE: NOT TO SCALE		SHEET 1 OF 1