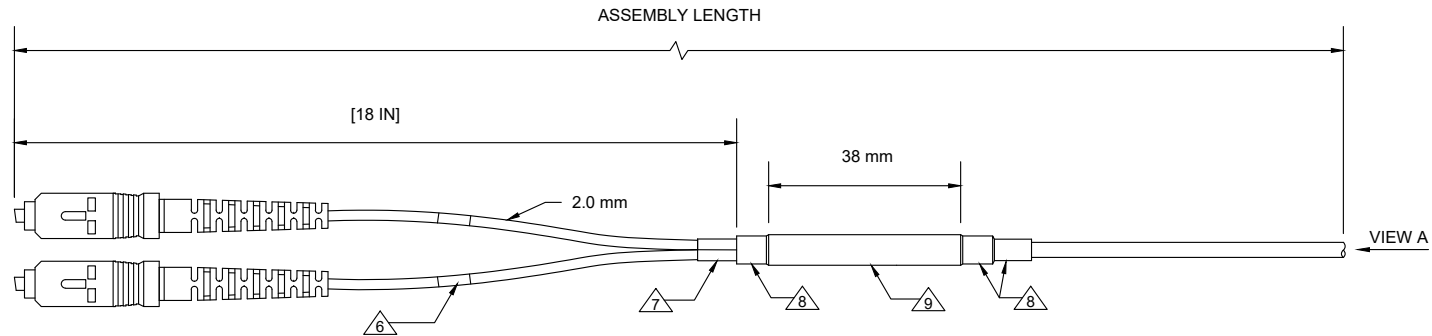


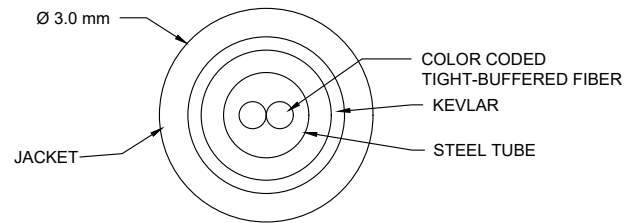
NOTES: UNLESS OTHERWISE SPECIFIED

1. MATERIALS AND COMPONENTS ARE RoHS/REACH COMPLIANT.
2. CONNECTORS MEET THE REQUIREMENTS OF ANSI/TIA 568-C.3
3. 100% TESTED FOR OPTICAL PERFORMANCE, END FACE CRITERIA AND CLEANLINESS.
4. CABLE ASSEMBLIES ARE MANUFACTURED TO C ENTERPRISES STANDARDS.
5. STANDARDS AND SPECIFICATIONS AVAILABLE UPON REQUEST.
6. FIBER LEG LABEL. PLACED APPROX. 6 INCHES FROM CONNECTOR TIP. 2 PLACES.
7. HEAT SHRINK FOR STRAIN RELIEF.
8. ADHESIVE HEAT SHRINK.
9. SINGLE LEG BREAKOUT. OVERALL DIAMETER 10 mm.

REV	ECR	DESCRIPTION	BY	DATE	CHECKED
A	-	INITIAL RELEASE	M. K	06/13/2018	A.J.



VIEW A
CROSS-SECTION
NOT TO SCALE



DESCRIPTION: SC-UNCLIPPED/ UNTERMINATED APC POLISH x2-FIBER OS2 MICRO ARMOR™ OSP PE CABLE, SINGLE LEG BREAKOUT.

DRAWN BY:	M. KHANFIR	06/13/2018
APVD BY:	A. JENSEN	06/13/2018



C ENTERPRISES
2445 CADES WAY
VISTA CA 92081
760-599-5111

DIMENSIONS: METRIC [IMPERIAL]

TITLE: SC/UNTERM x2-FIBER SM MICRO ARMOR™ ASM.

PROPRIETARY AND CONFIDENTIAL
THIS DOCUMENT CONTAINS PROPRIETARY INFORMATION OF C ENTERPRISES. NOT TO BE USED, COPIED, OR DISCLOSED WITHOUT WRITTEN PERMISSION. ALL RIGHTS RESERVED.

SIZE	DWG. NO.	REV
A	SAON02SBXXJXXPJ	A
SCALE: NOT TO SCALE		SHEET 1 OF 1

BILL OF MATERIALS		
ITEM	QTY	COMPONENT
3	1	SINGLE LEG BREAKOUT: 2 mm FIBER LEGS, OSP BLACK.
2	AR	SINGLE-MODE OS2 2-FIBER MICRO ARMOR™ OSP POLYETHYLENE CABLE; BLACK: PERFORMA.
1	2	SC-UNCLIPPED APC POLISH, GREEN HOUSING, GREEN BOOT: PERFORMA.

APC TEST LIMITS
AT 1310 nm.

MAX. I.L.	TYP. I.L.	MIN. R.L.	TYP. R.L.
≤0.50dB	0.20dB	≥65dB	68dB