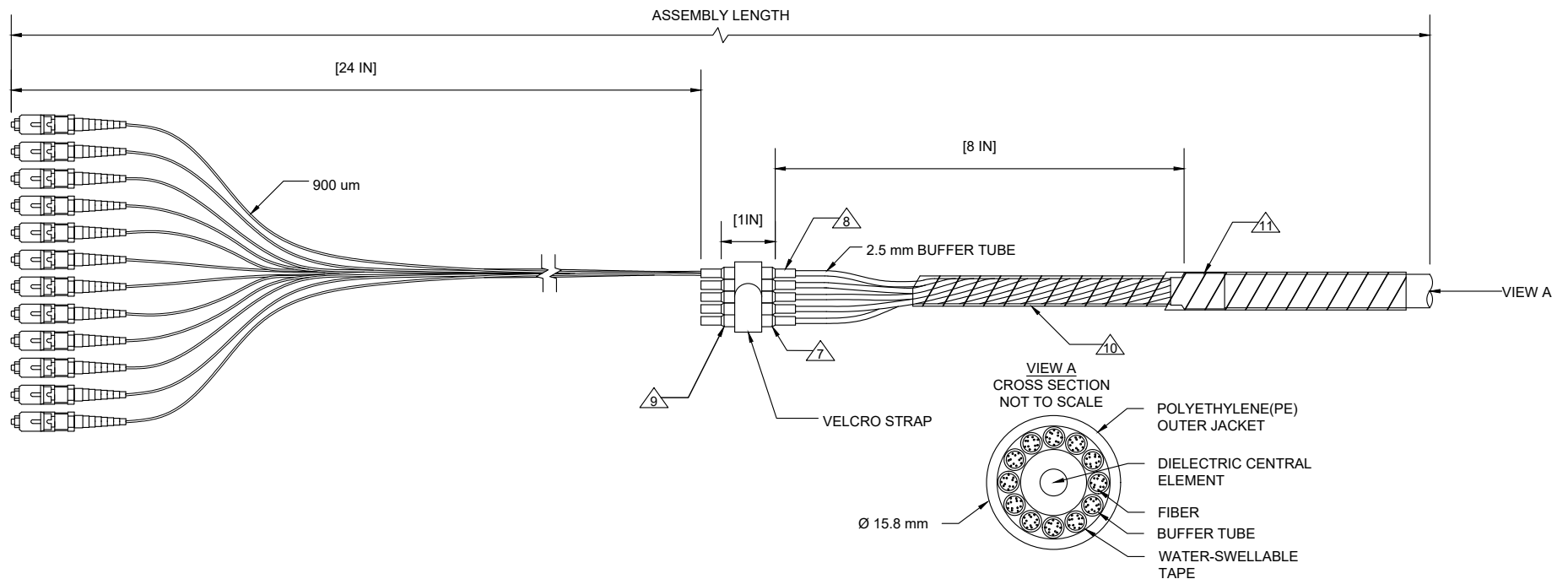


NOTES: UNLESS OTHERWISE SPECIFIED


1. MATERIALS AND COMPONENTS ARE RoHS/REACH COMPLIANT.
2. CONNECTORS MEET THE REQUIREMENTS OF ANSI/TIA 568-C.3
3. 100% TESTED FOR OPTICAL PERFORMANCE, END FACE CRITERIA AND CLEANLINESS.
4. CABLE ASSEMBLIES ARE MANUFACTURED TO C ENTERPRISES STANDARDS.
5. STANDARDS AND SPECIFICATIONS AVAILABLE UPON REQUEST.
6. FIBERS 13 TO 144 ARE NOT SHOWN DUE TO SPACE CONSTRAINT.
7. SINGLE LEG BREAKOUT: OVERALL DIAMETER: 10 mm. 12 PLACES.
8. HEAT SHRINK FOR STRAIN RELIEF. 12 PLACES.
9. DIELECTRIC STRENGTH MEMBER TRIMMED HERE.
- 9.1 NON-DIMENSIONED ITEMS ARE BEST FIT.
10. 11.1 SPIRAL WRAP ADD FOR STRAIN RELIEF.
11. HEAT SHRINK.

REV	ECR	DESCRIPTION	BY	DATE	CHECKED
A	-	INITIAL RELEASE	M. K	03/28/2018	A.J



BILL OF MATERIALS		
ITEM	QTY	COMPONENT
4	1	SINGLEMODE UPC TEST REPORT.
3	12	C-BREAK 2: SINGLE LEG 12 FIBER BREAKOUT; 900 um COLOR CODED FURCATION.
2	AR	SINGLE-MODE OS2 OSP ALTOS® CABLE, BLACK: CORNING.
1	144	SC NO-CLIP SINGLEMODE UPC POLISH; BLUE HOUSING, BLUE BOOT: CORNING.

UPC TEST LIMITS AT 1310 nm.			
MAX. I.L.	TYP. I.L.	MIN. R.L.	TYP. R.L.
≤0.50dB	0.20dB	≥50dB	60dB

DESCRIPTION:		SC NO-CLIP UPC / UNTERMINATED 144 FIBER OS2 OSP OUTDOOR CABLE, 900 um BREAKOUT, TEST REPORT, ULTRA.			
DRAWN BY:	M. KHANFIR	03/28/2018	 C ENTERPRISES 2445 CADES WAY VISTA CA 92081 760-599-5111		
APVD BY:	A. JENSEN	03/28/2018			
DIMENSIONS: METRIC [IMPERIAL]			TITLE: OSP 144 FIBER SM SC/UNTERM		
PROPRIETARY AND CONFIDENTIAL			SIZE	DWG. NO.	REV
THIS DOCUMENT CONTAINS PROPRIETARY INFORMATION OF C ENTERPRISES. NOT TO BE USED, COPIED, OR DISCLOSED WITHOUT WRITTEN PERMISSION. ALL RIGHTS RESERVED.			A	SUOD44SBXXIRXUX	A
			SCALE: NOT TO SCALE		SHEET 1 OF 1