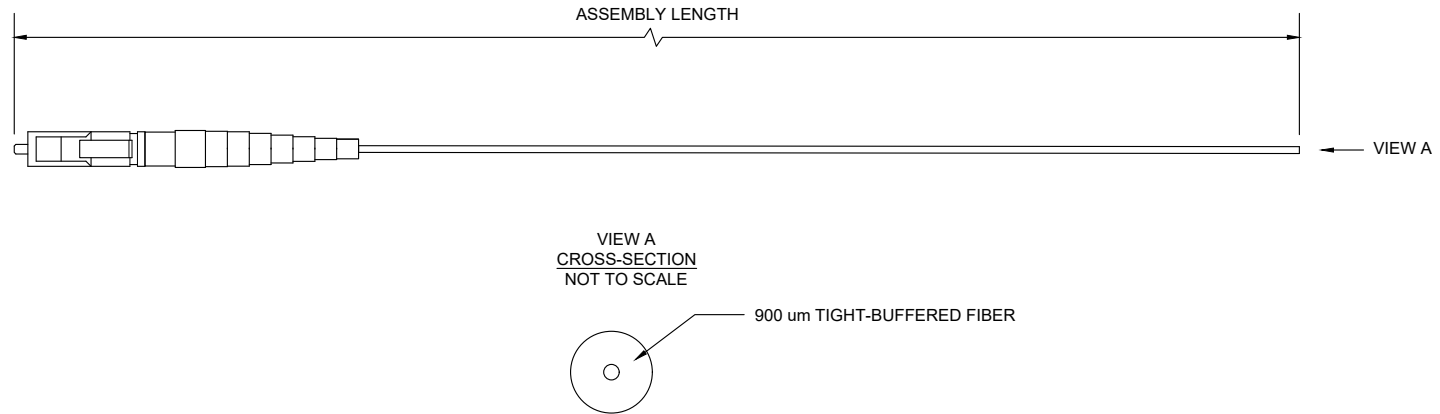



NOTES: UNLESS OTHERWISE SPECIFIED

1. MATERIALS AND COMPONENTS ARE RoHS/REACH COMPLIANT.
2. CONNECTORS MEET THE REQUIREMENTS OF ANSI/TIA 568-C.3
3. 100% TESTED FOR OPTICAL PERFORMANCE, END FACE CRITERIA AND CLEANLINESS.
4. CABLE ASSEMBLIES ARE MANUFACTURED TO C ENTERPRISES STANDARDS.
5. STANDARDS AND SPECIFICATIONS AVAILABLE UPON REQUEST.

REV	ECR	DESCRIPTION	BY	DATE	CHECKED
A	-	INITIAL RELEASE	M. K	03/01/2018	A.J.



DESCRIPTION: LC UPC POLISH / UNTERMINATED SIMPLEX FIBER OS2 900 um TIGHT BUFFER, ULTRA.			
DRAWN BY:	M. KHANFIR	02/28/2018	 C ENTERPRISES 2445 CADES WAY VISTA CA 92081 760-599-5111
APVD BY:	A. JENSEN	03/02/2018	
DIMENSIONS: METRIC [IMPERIAL]		TITLE: LC/UNTERM OS2 900 um SIMPLEX	
PROPRIETARY AND CONFIDENTIAL		SIZE	REV
THIS DOCUMENT CONTAINS PROPRIETARY INFORMATION OF C ENTERPRISES. NOT TO BE USED, COPIED, OR DISCLOSED WITHOUT WRITTEN PERMISSION. ALL RIGHTS RESERVED.		A	A
		SCALE: NOT TO SCALE	
		SHEET 1 OF 1	

BILL OF MATERIALS			UPC TEST LIMITS AT 1310 nm			
ITEM	QTY	COMPONENT	MAX. I.L.	TYP. I.L.	MIN. R.L.	TYP. R.L.
2	AR	SINGLE-MODE OS2 900 um TIGHT BUFFER SIMPLEX RISER CABLE; YELLOW: CORNING				
1	1	LC-UPC POLISH; BLUE HOUSING, BLUE BOOT: CORNING.	≤0.50dB	0.20dB	≥50dB	60dB