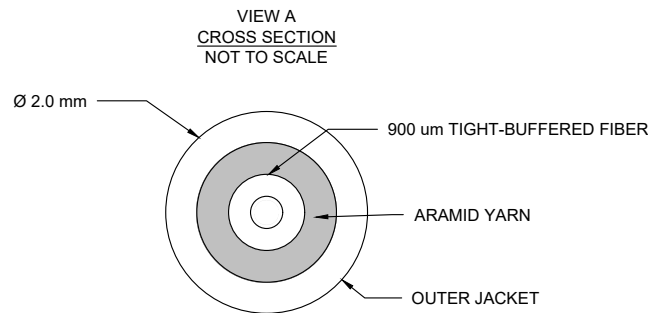
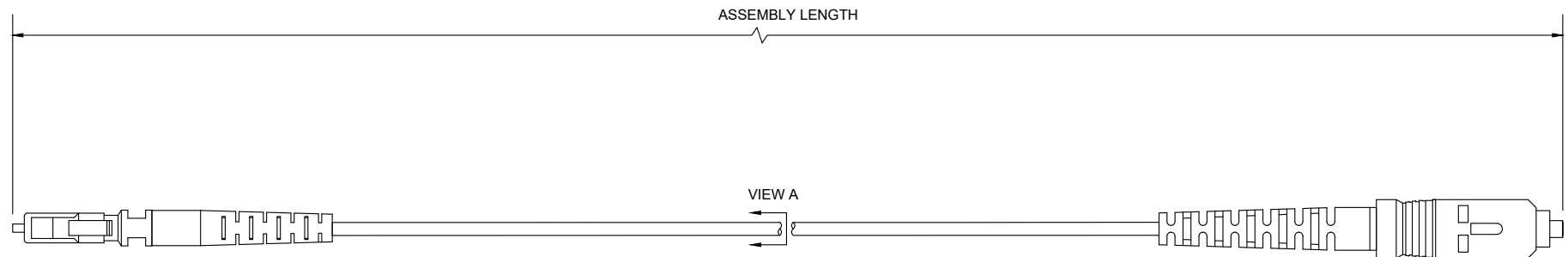


NOTES: UNLESS OTHERWISE SPECIFIED

1. MATERIALS AND COMPONENTS ARE RoHS/REACH COMPLIANT.
2. CONNECTORS MEET THE REQUIREMENTS OF ANSI/TIA 568-C.3
3. 100% TESTED FOR OPTICAL PERFORMANCE, END FACE CRITERIA AND CLEANLINESS.
4. CABLE ASSEMBLIES ARE MANUFACTURED TO C ENTERPRISES STANDARDS.
5. STANDARDS AND SPECIFICATIONS AVAILABLE UPON REQUEST.

REV	ECR	DESCRIPTION	BY	DATE	CHECKED
A	-	INITIAL RELEASE	K.T.	09/29/2017	D.B.



DESCRIPTION: LC-NOCLIP PC POLISH / SC-NOCLIP OM1 2.0 mm SIMPLEX OFNR CABLE, PERFORMA

DRAWN BY:	K. THOMAS	09/29/2017
APVD BY:	D. BROWN	09/29/2017



C ENTERPRISES  
2445 CADES WAY  
VISTA CA 92081  
760-599-5111

BILL OF MATERIALS		
ITEM	QTY	COMPONENT
3	AR	MULTIMODE OM1 SIMPLEX OFNR 2.0 mm CABLE, ORANGE: PERFORMA
2	1	SC-UNCLIPPED PC POLISH CONNECTOR; BEIGE HOUSING, BLACK BOOT: PERFORMA
1	1	LC-UNCLIPPED PC POLISH CONNECTOR; BEIGE HOUSING, WHITE BOOT: PERFORMA

MULTIMODE TEST LIMITS AT 1300 nm

MAX. I.L.	TYP. I.L.	MIN. R.L.	TYP. R.L.
≤0.75dB	0.20dB	N/A	N/A

DIMENSIONS: METRIC [IMPERIAL]

PROPRIETARY AND CONFIDENTIAL  
THIS DOCUMENT CONTAINS PROPRIETARY INFORMATION OF C ENTERPRISES. NOT TO BE USED, COPIED, OR DISCLOSED WITHOUT WRITTEN PERMISSION. ALL RIGHTS RESERVED.

TITLE: LC/SC OM1 2.0 mm SIMPLEX OFNR PATCH

SIZE	DWG. NO.	REV
A	MPSS01LBSBXXXPX	A
SCALE: NOT TO SCALE		SHEET 1 OF 1