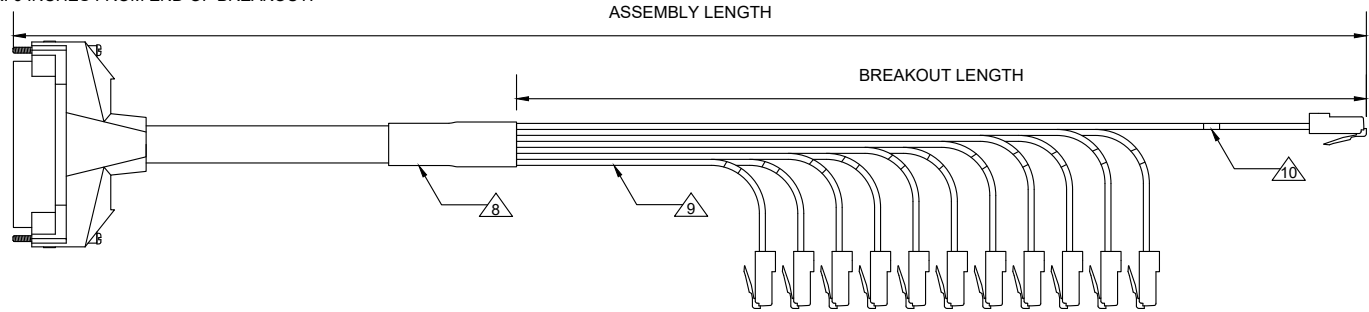


NOTES: UNLESS OTHERWISE SPECIFIED

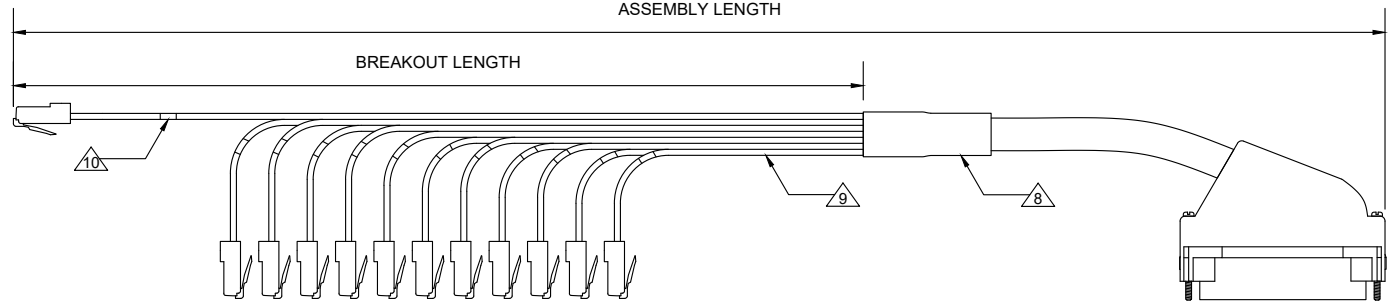
1. MATERIALS AND COMPONENTS ARE RoHS/REACH COMPLIANT.
2. CABLE ASSEMBLIES ARE MANUFACTURED TO C ENTERPRISES STANDARDS.
3. STANDARDS AND SPECIFICATIONS AVAILABLE UPON REQUEST.
4. CABLE: CAT3 OR CAT5E, 25 PAIR, SOLID CONDUCTOR.
5. 6, 8, 12, 24 OR 25 LEG BREAKOUTS AVAILABLE.
6. WHEN STAGGER IS REQUESTED, CONNECTORS STAGGERED IN 1/2 INCH INCREMENTS BY DEFAULT.
7. REFER TO SALES FOR WIRING CONFIGURATIONS.
8. HEAT SHRINK FOR STRAIN RELIEF.
9. FROM BREAKOUT POINT, TWISTED PAIRS ENCASED IN HEAT SHRINK.
10. WIRE MARKER LABELS. PLACED APPROX. 6 INCHES FROM END OF BREAKOUT.

REV	ECR	DESCRIPTION	BY	DATE	CHECKED
A	-	INITIAL RELEASE	K.T.	07/28/2017	A.J.

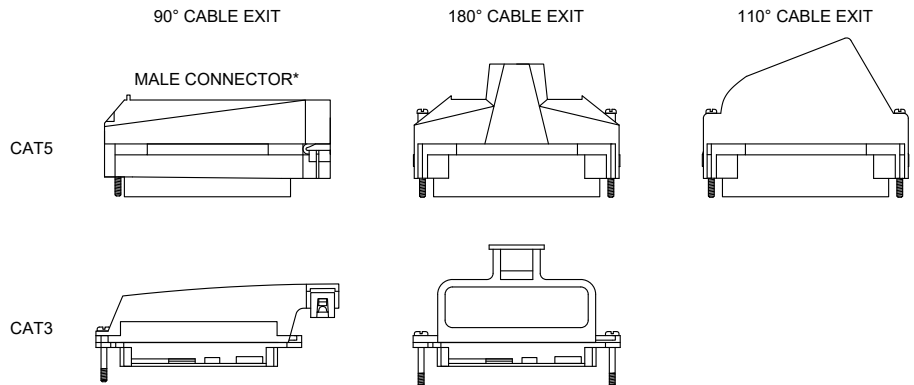
EXAMPLE ASSEMBLY 1:
CAT5 RJ21/RJ45 ASSEMBLY
180° CABLE EXIT
12 STAGGERED LEGS



EXAMPLE ASSEMBLY 2:
CAT5 RJ21/RJ45 ASSEMBLY
110° CABLE EXIT
12 STAGGERED LEGS



AVAILABLE CONNECTORS



CABLE EXIT DIRECTION: 90° AND 110° HOUSINGS			
MALE	RIGHT	STANDARD	PINS 1/26
	LEFT	OPPOSITE	PINS 25/50
FEMALE	LEFT	STANDARD	PINS 25/50
	RIGHT	OPPOSITE	PINS 1/26
*CAT5 FEMALE 90° RIGHT EXIT IS NOT AVAILABLE			

DRAWN BY:	K. THOMAS	06/27/2016
APVD BY:	A. JENSEN	07/28/2017



C ENTERPRISES
2445 CADES WAY
VISTA CA 92081
760-599-5111

DIMENSIONS: METRIC [IMPERIAL]
PROPRIETARY AND CONFIDENTIAL
THIS DOCUMENT CONTAINS PROPRIETARY INFORMATION OF C ENTERPRISES. NOT TO BE USED, COPIED, OR DISCLOSED WITHOUT WRITTEN PERMISSION. ALL RIGHTS RESERVED.

TITLE: HYDRA BREAKOUT ASSEMBLIES		
SIZE	DWG. NO.	REV
A	HYDRA-BREAKOUT	A
SCALE: NOT TO SCALE		SHEET 1 OF 1