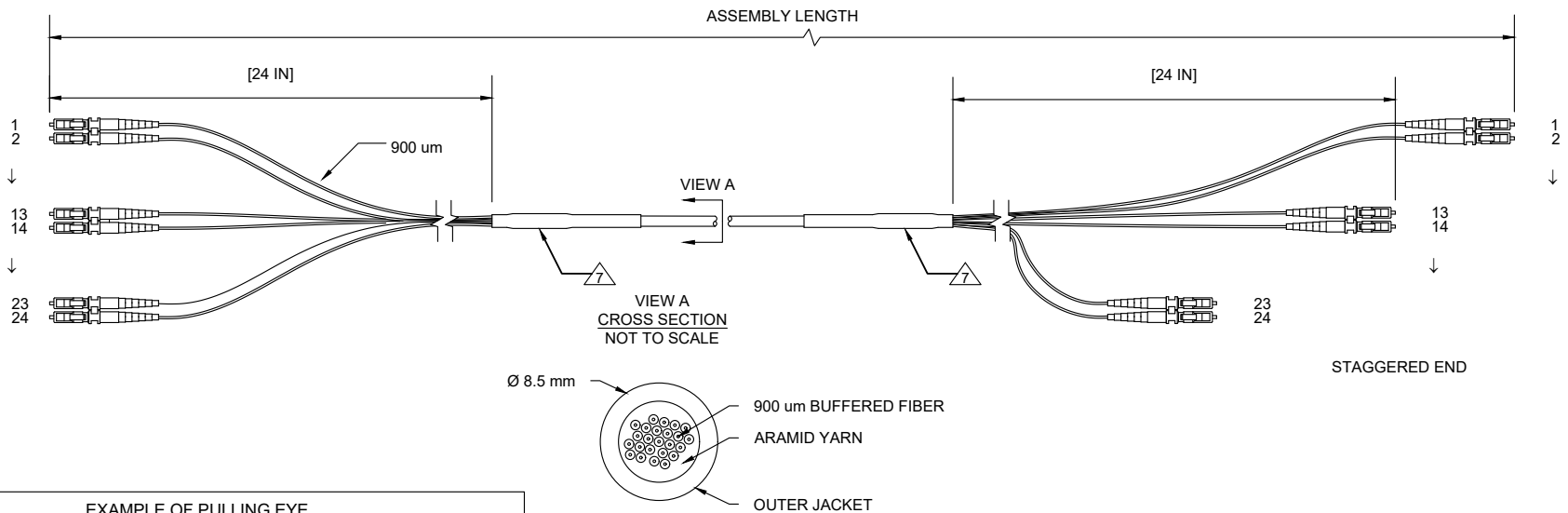


NOTES: UNLESS OTHERWISE SPECIFIED

1. MATERIALS AND COMPONENTS ARE RoHS/REACH COMPLIANT.
2. CONNECTORS MEET THE REQUIREMENTS OF ANSI/TIA 568-C.3
3. 100% TESTED FOR OPTICAL PERFORMANCE, END FACE CRITERIA AND CLEANLINESS.
4. CABLE ASSEMBLIES ARE MANUFACTURED TO C ENTERPRISES STANDARDS.
5. STANDARDS AND SPECIFICATIONS AVAILABLE UPON REQUEST.
6. STAGGERED END WITH PULLING EYE
 - 6.1. CONNECTORS STAGGERED IN PAIRS BY 1 INCH INCREMENTS.
 - 6.2. PAIRS STAGGER ALTERNATE BY INCREASING AND DECREASING FROM DEFINED BREAKOUT LENGTH.
 - 6.3. PAIRS 1-2 LONGEST: 30 INCHES. PAIRS 23-24 SHORTEST: 19 INCHES.

 HEAT SHRINK.

REV	ECR	DESCRIPTION	BY	DATE	CHECKED
A	-	INITIAL RELEASE	K.T.	05/02/2017	A.J.
A.1	-	DRAWING NUMBER CORRECTION	K.T.	05/02/2017	A.J.




EXAMPLE OF PULLING EYE

BILL OF MATERIALS

ITEM	QTY	COMPONENT
4	1	MULTIMODE PC TEST REPORT
3	1	PULLING EYE: 24 FIBERS
2	AR	MULTIMODE OM1 24 FIBER OFNP TB DIST CABLE; ORANGE: PERFORMA
1	48	LC-UNCLIPPED PC POLISH CONNECTOR; BEIGE HOUSING, BLACK BOOT: PERFORMA

MULTIMODE TEST LIMITS AT 1300 nm

MAX. I.L.	TYP. I.L.	MIN. R.L.	TYP. R.L.
≤0.75dB	0.20dB	N/A	N/A

DESCRIPTION: LC-UNCLIPPED PC / LC-UNCLIPPED PC x 24-FIBER OM1 OFNP DIST CABLE, 900 um BREAKOUTS, TEST REPORT, PULLING EYE W/ STAGGERED END			
DRAWN BY:	K. THOMAS	05/02/2017	 <p>C ENTERPRISES 2445 CADES WAY VISTA CA 92081 760-599-5111</p>
APVD BY:	A. JENSEN	05/02/2017	
DIMENSIONS: METRIC [IMPERIAL]		TITLE: LC/LC INDOOR OM1 24 FIBER ASM	
PROPRIETARY AND CONFIDENTIAL		SIZE	REV
THIS DOCUMENT CONTAINS PROPRIETARY INFORMATION OF C ENTERPRISES. NOT TO BE USED, COPIED, OR DISCLOSED WITHOUT WRITTEN PERMISSION. ALL RIGHTS RESERVED.		A	A.1
		SCALE: NOT TO SCALE	
		SHEET 1 OF 1	