

NOTES: UNLESS OTHERWISE SPECIFIED

1. C-BREAK 1: Y BREAKOUT.
2. C ENTERPRISES ENGINEERING STANDARDS APPLY.
3. WHEN PULLING EYE REQUESTED, CONNECTORS AND SUBUNITS WILL BE STAGGERED BY DEFAULT.
  - 3.1. CONNECTOR PAIRS STAGGERED BY 1 INCH INCREMENTS.
  - 3.2. PAIRS STAGGER ALTERNATE BY INCREASING AND DECREASING FROM DEFINED BREAKOUT LENGTH.

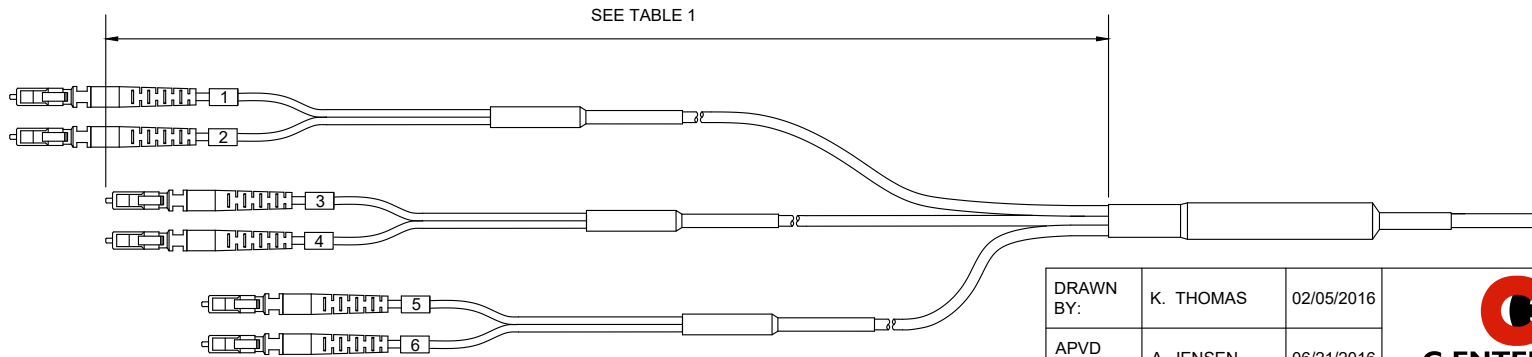
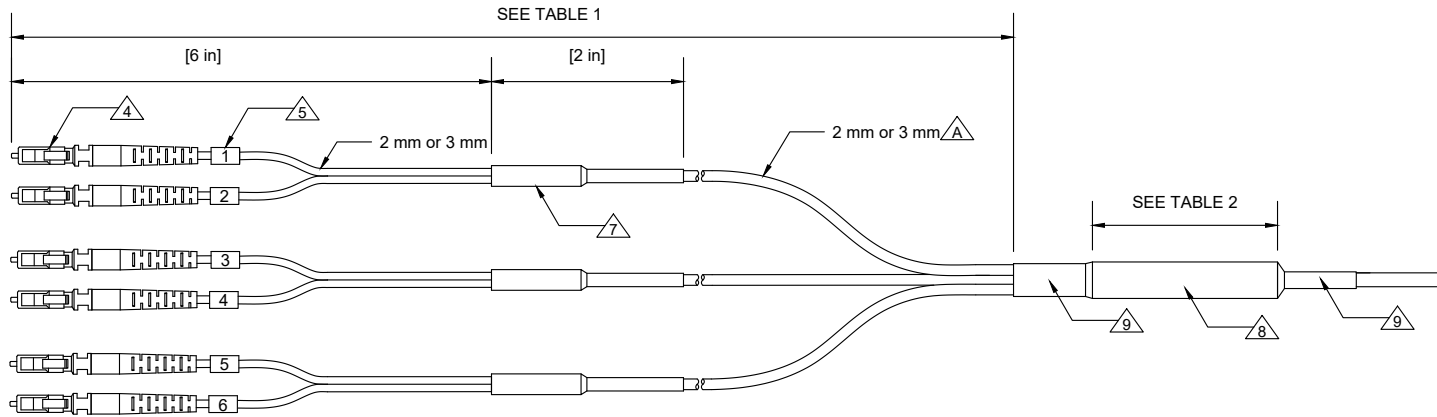
- △4 LC CONNECTOR SHOWN FOR REFERENCE ONLY.
- △5 LABEL LEG NUMBER.
- △6 900 um TIGHT-BUFFERED FIBER CAN BE USED ONLY WITH 3 mm FURCATION TUBE △A.
- △7 C-TERM: HEAT SHRINK.
- △8 C-BREAK. SEE TABLE 3 FOR OVERALL DIAMETER.
- △9 HEAT SHRINK FOR STRAIN RELIEF.

REV	ECR	DESCRIPTION	BY	DATE	CHECKED
B	-	DRAWING FORMAT CHANGE & NOTES UPDATE. BLOCK UPDATE.	K.T.	05/11/2016	A.J.
B.1	-	STAGGERED END ADDED.	K.T.	06/21/2016	A.J.

TABLE 1 BREAKOUT LENGTH	
12 in	
18 in	
24 in [DEFAULT]	
36 in	
48 in	
1 M	
CUSTOM	

TABLE 2 C-BREAK LENGTH	
250 um COATED FIBERS	
LENGTH	FIBER COUNT
1-1/2 in	2-4
2 in	6-12
3 in	16-36
4 in	48+
900 um TIGHT-BUFFERED FIBERS	
1-1/2 in	2
2 in	4-12
3 in	16-18
4 in	20+

TABLE 3 C-BREAK OVERALL DIAMETER			
FIBERS	2 mm	3 mm	3 mm to 2 mm
2-8	DIMENSIONED BEST FIT		
12	5/8 in	5/8 in	5/8 in
16	TBD	TBD	3/4 in
24	3/4 in	7/8 in	7/8 in
36	TBD	7/8 in	7/8 in
48	1 in	1-1/4 in	1-1/4 in
72	TBD	1-3/8 in	1-3/8 in
96	TBD	1-3/8 in	TBD



WITH STAGGERED CONNECTORS

DRAWN BY:	K. THOMAS	02/05/2016
APVD BY:	A. JENSEN	06/21/2016



C ENTERPRISES  
2445 CADES WAY  
VISTA CA 92081  
760-599-5111

DIMENSIONS: METRIC [IMPERIAL]		TITLE: C-BREAK-BK1	
PROPRIETARY AND CONFIDENTIAL	SIZE A	DWG. NO. C-BREAK-BK1	REV B.1
THIS DOCUMENT CONTAINS PROPRIETARY INFORMATION OF C ENTERPRISES. NOT TO BE USED, COPIED, OR DISCLOSED WITHOUT WRITTEN PERMISSION. ALL RIGHTS RESERVED.		SCALE: NOT TO SCALE	SHEET 1 OF 1