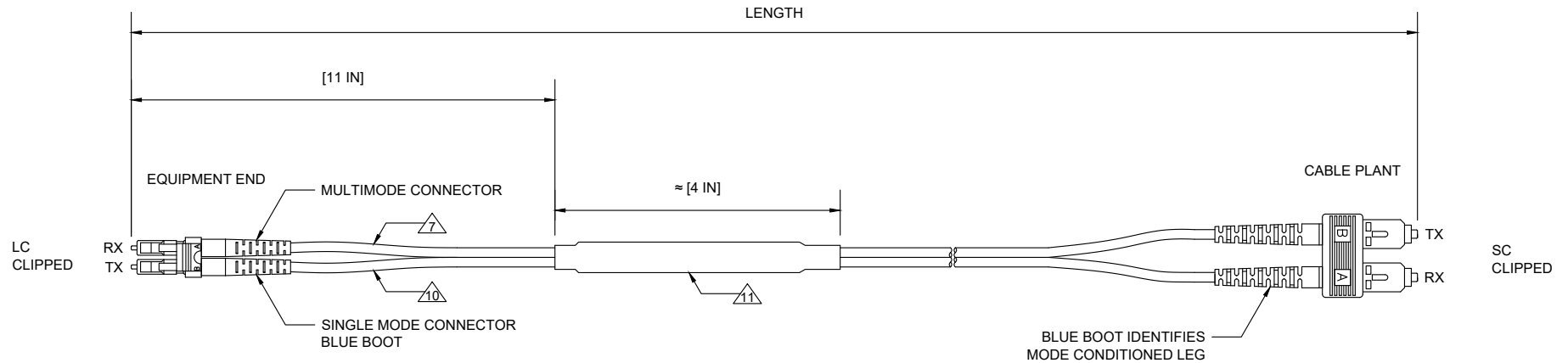


NOTES: UNLESS OTHERWISE SPECIFIED

1. MATERIALS AND COMPONENTS ARE RoHS/REACH COMPLIANT.
2. CONNECTORS MEET THE REQUIREMENTS OF ANSI/TIA 568-C.3.
3. 100% TESTED FOR OPTICAL PERFORMANCE, END FACE CRITERIA AND CLEANLINESS.
4. CABLE ASSEMBLIES ARE MANUFACTURED TO C ENTERPRISES STANDARDS.
5. STANDARDS AND SPECIFICATIONS AVAILABLE UPON REQUEST.
6. IF CLIPPED, CLIPPED A-B / B-A.
7. CABLE DIAMETER: 2 mm OR 3 mm DEPENDING ON AVAILABILITY.
8. LC AND SC CONNECTORS SHOWN FOR REFERENCE.
9. SEE PART NUMBER CHART FOR A COMPLETE LIST OF OPTIONS.
10. YELLOW SINGLE MODE SIMPLEX FIBER LEG.
11. MODE CONDITIONER

REV	ECR	DESCRIPTION	BY	DATE	CHECKED
A	-	INITIAL RELEASE	J.V.	03/30/2015	-
B	1152	DRAWING FORMAT & NOTES UPDATE	K.T.	07/05/2016	A.J.



MODE CONDITIONER PART NUMBER

1 U 3 M 0 2 7 8 9 10 X 12 X 14 X - [] []

MODE

M	OM1 Multimode 62um
N	OM2 Multimode 50um
J	OM3 Multimode 50um
H	OM4 Multimode 50um

JACKET

R	OFNR 3 mm
S	OFNR 2 mm

CONNECTOR 1 EQUIPMENT END AS REQUESTED

CONNECTOR 2 CABLE PLANT AS REQUESTED

UNITS
M- METERS F- FEET I- INCHES

LENGTH AS REQUESTED

PRODUCT FAMILY

D	Corning Connectors
P	Performa

LABELS / TEST REPORTS AS REQUESTED

MODE CONDITIONER SPECIFICATIONS		
DESCRIPTION	62.5 um MMF	50 um MMF
MAX. INSERTION LOSS	0.5 dB	0.5 dB
COUPLED POWER RATIO	28 dB < CPR < 40 dB	12 dB < CPR < 20 dB
OPTICAL CENTER OFFSET BETWEEN SMF AND MMF	17 um < OFFSET < 23 um	10 um < OFFSET < 16 um
MAX. ANGULAR OFFSET	1 DEGREE	1 DEGREE

DRAWN BY:	K. THOMAS	02/12/2016
APVD BY:	A. JENSEN	07/05/2016



C ENTERPRISES
2445 CADES WAY
VISTA CA 92081
760-599-5111

DIMENSIONS: METRIC [IMPERIAL]

PROPRIETARY AND CONFIDENTIAL

THIS DOCUMENT CONTAINS PROPRIETARY INFORMATION OF C ENTERPRISES. NOT TO BE USED, COPIED, OR DISCLOSED WITHOUT WRITTEN PERMISSION. ALL RIGHTS RESERVED.

TITLE: MODE CONDITIONER		
SIZE A	DWG. NO. MODE-CONDITIONER	REV B
SCALE: NOT TO SCALE		SHEET 1 OF 1