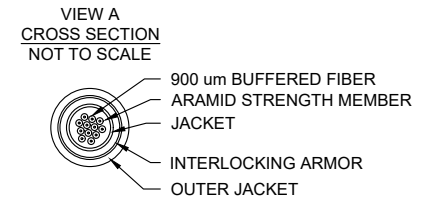
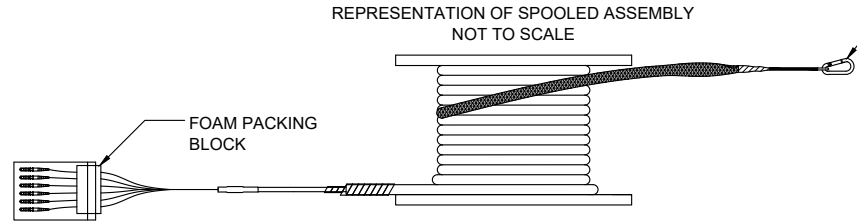
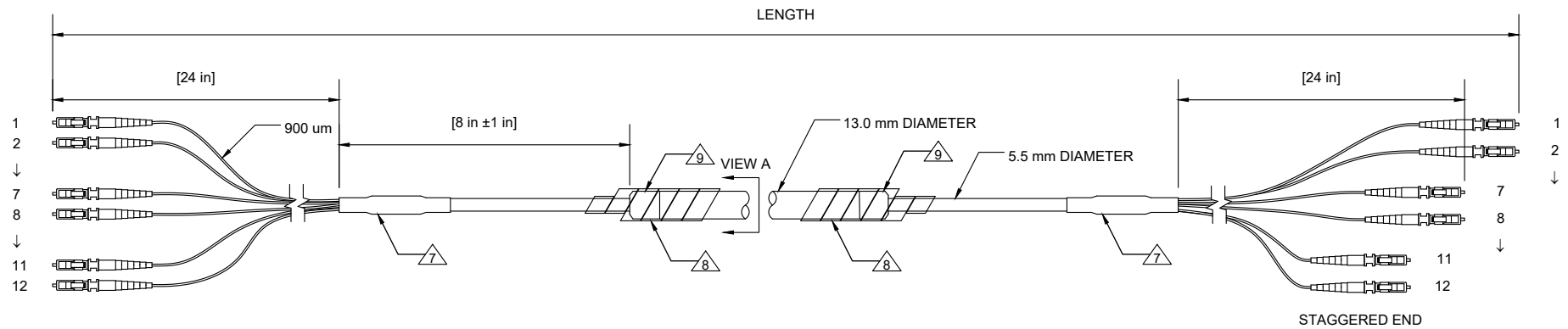


NOTES: UNLESS OTHERWISE SPECIFIED

1. MATERIALS AND COMPONENTS ARE RoHS/REACH COMPLIANT.
2. CONNECTORS MEET THE REQUIREMENTS OF ANSI/TIA 568-C.3
3. 100% TESTED FOR OPTICAL PERFORMANCE, END FACE CRITERIA AND CLEANLINESS.
4. CABLE ASSEMBLIES ARE MANUFACTURED TO C ENTERPRISES STANDARDS.
5. STANDARDS AND SPECIFICATIONS AVAILABLE UPON REQUEST.
6. NOT ALL FIBERS ARE SHOWN DO TO SPACE CONSTRAINT.
7. STAGGERED END WITH PULLING EYE
 - 7.1. CONNECTOR PAIRS STAGGERED BY 1 INCH INCREMENTS.
 - 7.2. PAIRS STAGGER ALTERNATE BY INCREASING AND DECREASING FROM DEFINED BREAKOUT LENGTH.
 - 7.3. PAIRS 1-2 LONGEST: 27". PAIRS 11-12 SHORTEST: 22".

- HEAT SHRINK FOR STRAIN RELIEF
- SPIRAL WRAP FOR STRAIN RELIEF
- HEAT SHRINK FOR CABLE PROTECTION

REV	ECR	DESCRIPTION	BY	DATE	CHECKED
A	-	INITIAL RELEASE	K.T.	05/05/2016	A.J.



FIBERS AND CONNECTORS SECURED BY 12 IN A FOAM BLOCK AND BAGGED.

DRAWN BY:	K. THOMAS	05/05/2016
APVD BY:	A. JENSEN	05/05/2016

C ENTERPRISES
2445 CADES WAY
VISTA CA 92081
760-599-5111

BILL OF MATERIALS		
NUMBER	AMOUNT	PRODUCT
5	1	MUTIMODE TEST REPORT
4	1	PULLING EYE: 12 FIBERS
3	AR	MULTIMODE 50 μm OM3 ARMORED OFCP CABLE; AQUA
2	24	LC PERFORMA CONNECTOR BOOT; BLACK
1	24	LC PC POLISH PERFORMA CONNECTOR UNCLIPPED; BEIGE

TEST LIMITS AT 1300 nm			
MAX. I.L.	TYP. I.L.	MIN. R.L.	TYP. R.L.
<=0.75dB	0.20dB	N/A	N/A

DIMENSIONS: METRIC [IMPERIAL]

PROPRIETARY AND CONFIDENTIAL

THIS DOCUMENT CONTAINS PROPRIETARY INFORMATION OF C ENTERPRISES. NOT TO BE USED, COPIED, OR DISCLOSED WITHOUT WRITTEN PERMISSION. ALL RIGHTS RESERVED.

TITLE: JPPA12LBLB9RPPX		
SIZE A	DWG. NO. JPPA12LBLB9RPPX	REV A
SCALE: NOT TO SCALE		SHEET 1 OF 1